

# SRM-4510

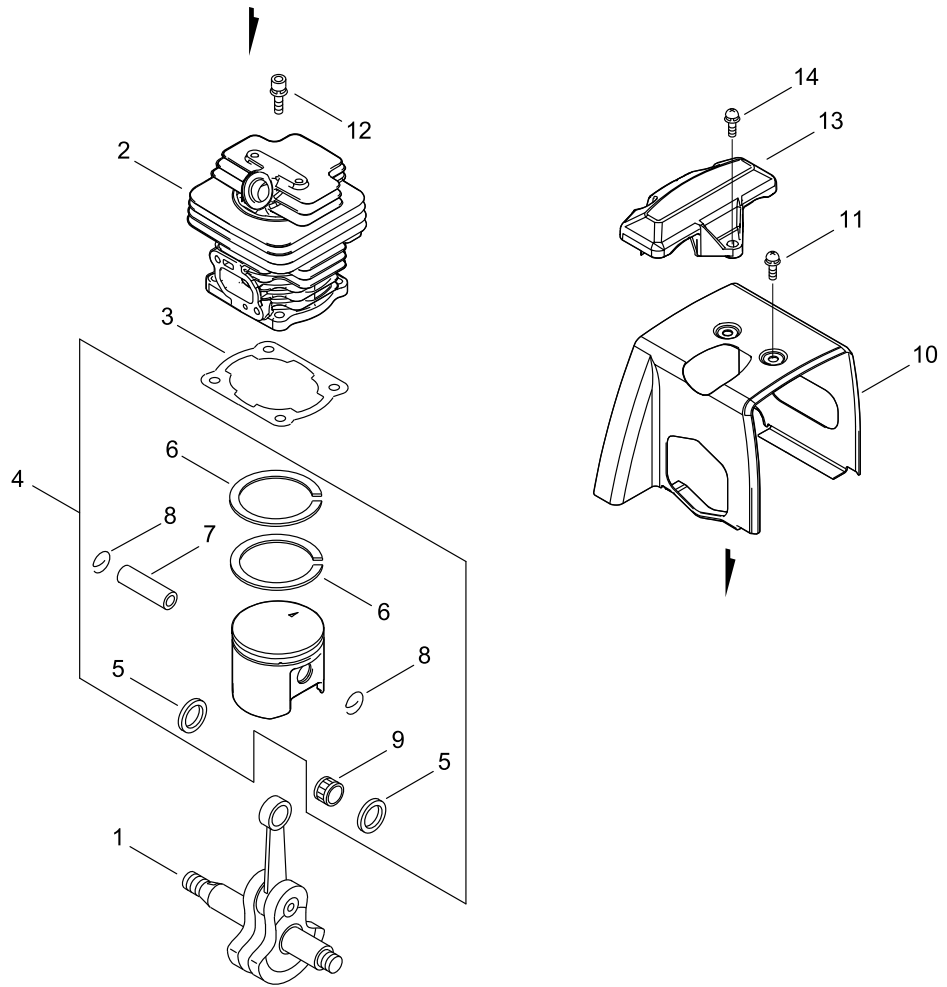
Published:10/10/2019

## TABLE OF CONTENTS

---

CYLINDER, PISTON, CRANKSHAFT.....	1
CRANKCASE .....	3
MAGNETO.....	5
CLUTCH.....	7
AIR CLEANER, CARBURETOR.....	9
CARBURETOR.....	11
FUEL TANK.....	13
MUFFLER .....	15
RECOIL STARTER, PULLY .....	17
GEAR CASE, SHIELD.....	19
MAIN PIPE, HANDLE.....	21
THROTTLE .....	23
ACCESSORIES .....	25

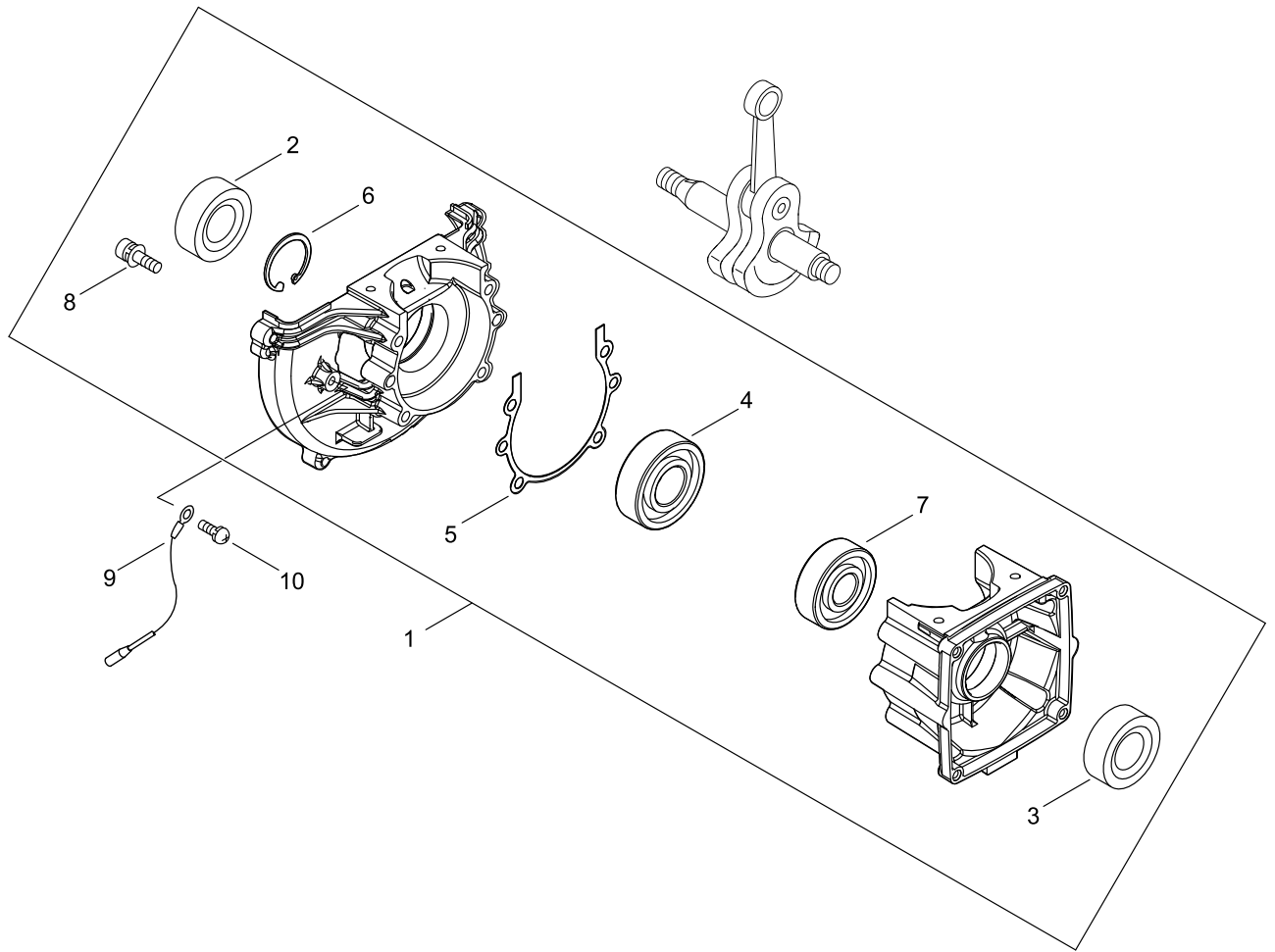
# CYLINDER, PISTON, CRANKSHAFT



## CYLINDER, PISTON, CRANKSHAFT

KEY NO	LV(+)	Part No	Description	Qty	Standard	Comment
1		A011-001590	CRANKSHAFT,ASY	1		
2		101011-47530	CYLINDER	1		
3		101010-42231	GASKET, CYL. BASE	1		
4		P100-007980	PISTON KIT	1		
5	+	V307-000050	WASHER,CIRCULAR 10	2		
6	+	A101-000760	RING, PISTON	2		
7	+	100013-00410	PIN, PISTON	1	6*10*29.8	
8	+	V580-000010	RING,END	2	10	
9	+	100012-12331	BEARING, NEEDLE	1		
10		101514-42230	COVER, CYLINDER (BS)	1		
11		900238-05010	SCREW	1	5*10	
12		900162-05020	BOLT HSH	4	5*20	
13		A162-000260	GUARD, TOP	1		
14		900238-05014	SCREW	3	5*14	

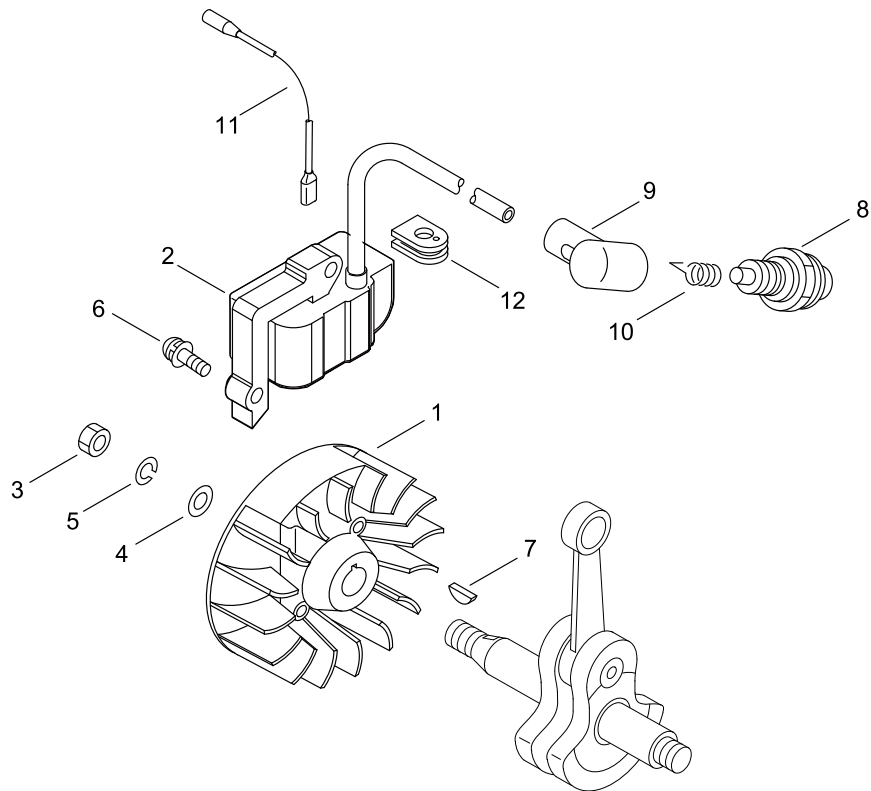
# CRANKCASE



## CRANKCASE

KEY NO	LV(+)	Part No	Description	Qty	Standard	Comment
1		P100-007970	CRANKCASE SET	1		
2	+	V508-000120	SEAL,OIL 15	1	ISMX 15*35*6	
3	+	V505-000170	SEAL,OIL 12	1	ISD 12*25*7	
4	+	94095-36202	BEARING, BALL	1	6202C3	
5	+	V102-000330	GASKET,CRANKCASE	1	T0.3	
6	+	900702-00035	RETAINING RING, INTERNAL	1	CR-35	
7	+	94095-36201	BEARING, BALL	1	6201	
8	+	900162-05030	BOLT HSH	4	5*30	
9		156635-43130	LEAD, GROUND	1		
10		900238-05010	SCREW	1	5*10	

# MAGNETO

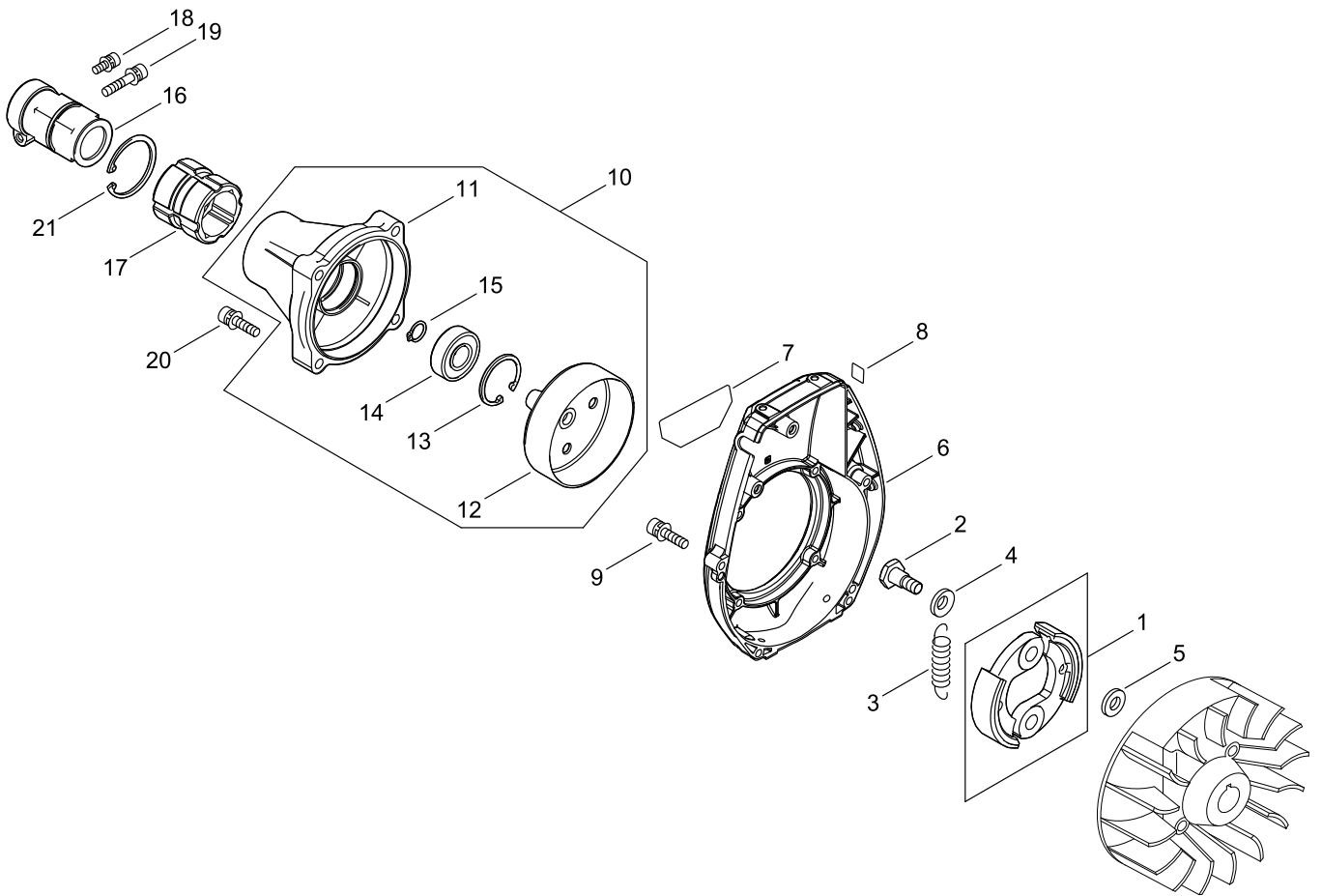


## MAGNETO

KEY NO	LV(+)	Part No	Description	Qty	Standard	Comment
1		A409-001380	ROTOR, MAGNETO	1	EMG-29	
2		A411-001880	COIL, IGNITION	1	EMG-52B	
3		900503-00010	NUT	1	10 P1.25	
4		900600-00010	WASHER	1	10	
5		900605-00010	WASHER, SPRING	1	10	
6		900238-05020	SCREW	2	5*20	
7		100142-12330	KEY, WOODRUFF	1		
8		159010-10630	PLUG, SPARK (BPM-7A)	1	BPM-7A	
9		159012-01620	CAP, SPARK PLUG	1		
10		159011-03432	COIL, SPARK PLUG	1		
11		162021-42230	LEAD	1		
12		156112-40630	GROMMET	1		



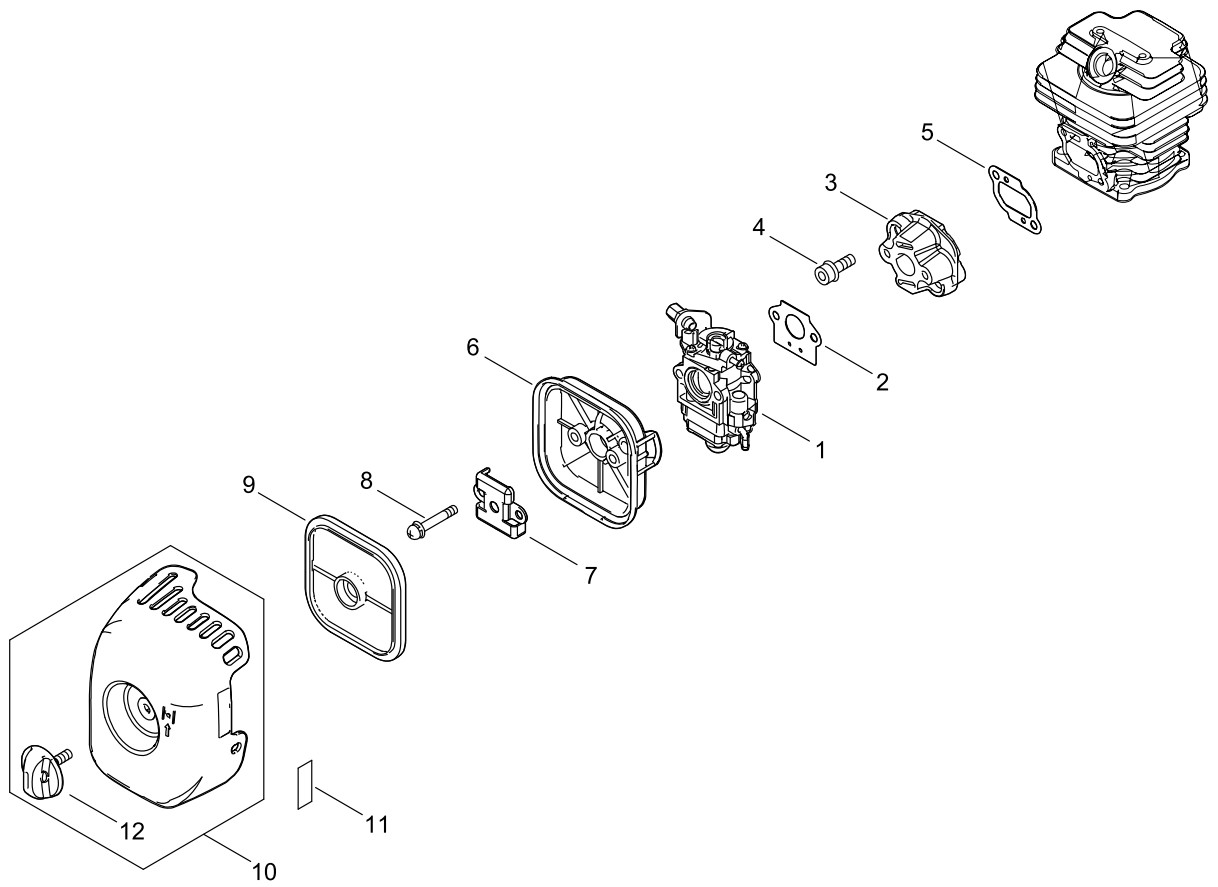
# CLUTCH



## CLUTCH

KEY NO	LV(+)	Part No	Description	Qty	Standard	Comment
1		P021-051120	CLUTCH SHOE SET	1		
2		A557-000000	SHAFT,CLUTCH	2		
3		A566-000260	SPRING, CLUTCH	1	3.2 361N	
4		V346-000000	WASHER,WAVE	2		
5		175049-03920	WASHER	2		
6		A172-003530	COVER,FAN	1		
7		X547-003540	LABEL,ECHO	1	ECHO+ SRM-4510	
8		X505-007710	LABEL,CAUTION	1		
9		91118-05025	BOLT HSH	4	5*25	
10		P100-008630	CASE,CLUTCH ASY	1		
11	+	P022-055250	CLUTCH CASE	1		
12	+	P022-055280	DRUM, CLUTCH	1		
13	+	P022-055020	CIRCLIP	1	35	
14	+	P022-054990	BEARING, BALL	1		
15	+	P022-055300	CIRCLIP	1	15	
16		P022-055260	FIXTURE, MAIN PIPE	1		
17		P022-055270	CUSHION	1		
18		P022-055290	BOLT	1	5*12	
19		P022-055080	BOLT	1	6*30	
20		P022-055340	BOLT	1	6*30	
21		P022-055310	CIRCLIP	1	45	

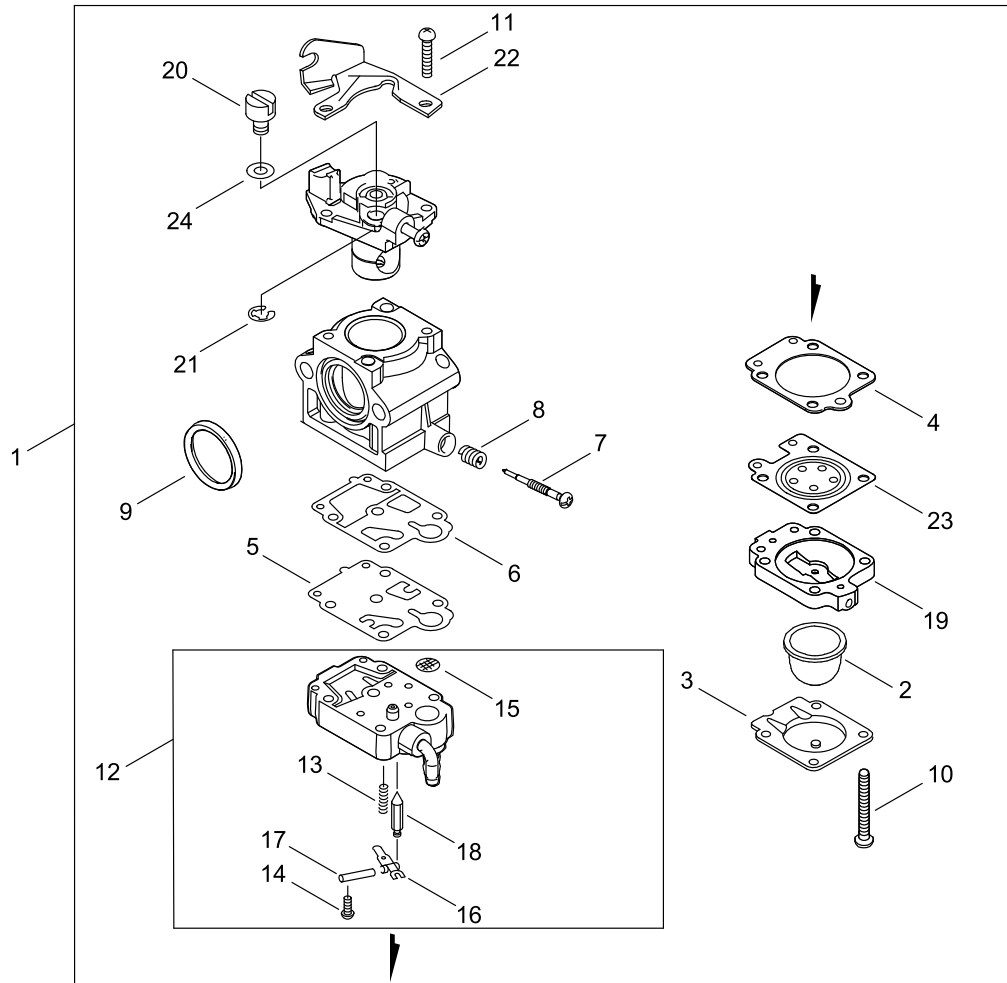
# AIR CLEANER, CARBURETOR



## AIR CLEANER, CARBURETOR

KEY NO	LV(+)	Part No	Description	Qty	Standard	Comment
1		A021-004980	CARBURETOR, DIAPHRAGM	1	HR02-2B01-0000	
2		V103-002090	GASKET,INTAKE	1	15.5/T:0.5	
3		A200-001230	INSULATOR, INTAKE	1	PM-9685Yㇿ口	
4		900162-05025	BOLT HSH	2	5*25	
5		130016-42231	GASKET, INTAKE	1		
6		P021-053180	CASE,CLEANER	1		
7		A244-000380	PLATE, PREVENT	1	M5X0.8 P付き	
8		900242-05064	SCREW	2	5*64	
9		A226-002280	ELEMENT, AIR FILTER	1	5000MF	
10		P100-008010	CLEANER COVER ASY	1		
11	+	V299-000520	KNOB,FASTENER	1	M5*22.5	
12		890332-52730	LABEL, CHOKE	1		

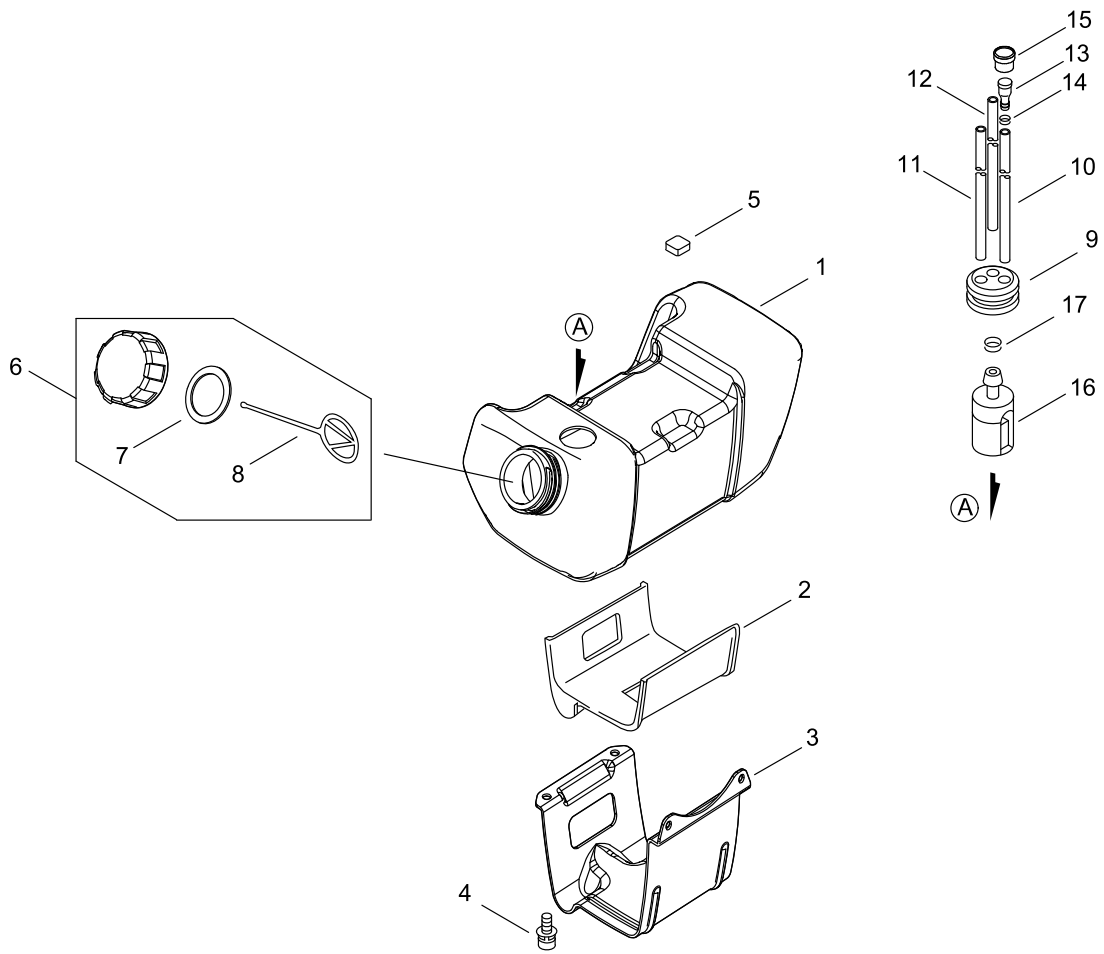
# CARBURETOR



## CARBURETOR

KEY NO	LV(+)	Part No	Description	Qty	Standard	Comment
1		A021-004980	CARBURETOR, DIAPHRAGM	1	HR02-2B01-0000	
2	+	P006-000290	PUMP, PRIMER	1		
3	+	P006-000300	RETAINER	1		
4	+	P006-000310	GASKET, M. DIAPHRAGM	1		
5	+	P006-000320	DIAPHRAGM PUMP	1		
6	+	P006-000330	GASKET, PUMP	1		
7	+	P006-000340	NEEDLE	1		
8	+	P006-000350	SPRING	1		
9	+	P006-000360	RING, PACKING	1		
10	+	P006-000370	SCREW	4		
11	+	P006-000380	SCREW	2		
12	+	P006-000390	BODY ASSEMBLY, PUMP	1		
13	++	P006-000400	SPRING, METER. LEVER	1		
14	++	P006-000410	SCREW	1		
15	++	P006-000420	SCREEN,INLET	1		
16	++	P006-000430	LEVER, METERING	1		
17	++	P006-000440	PIN, METERING LEVER	1		
18	++	P006-000450	VALVE, INLET NEEDLE	1		
19	+	P006-000460	BASE, ASY PRIMER	1		
20	+	P006-000470	SWIVEL	1		
21	+	P006-000480	E-RING	1		
22	+	P006-000490	BRACKET CABLE	1		
23	+	P006-000500	DIAPHRAGM ,METERING	1		
24	+	P006-000510	WASHER	1		

# FUEL TANK

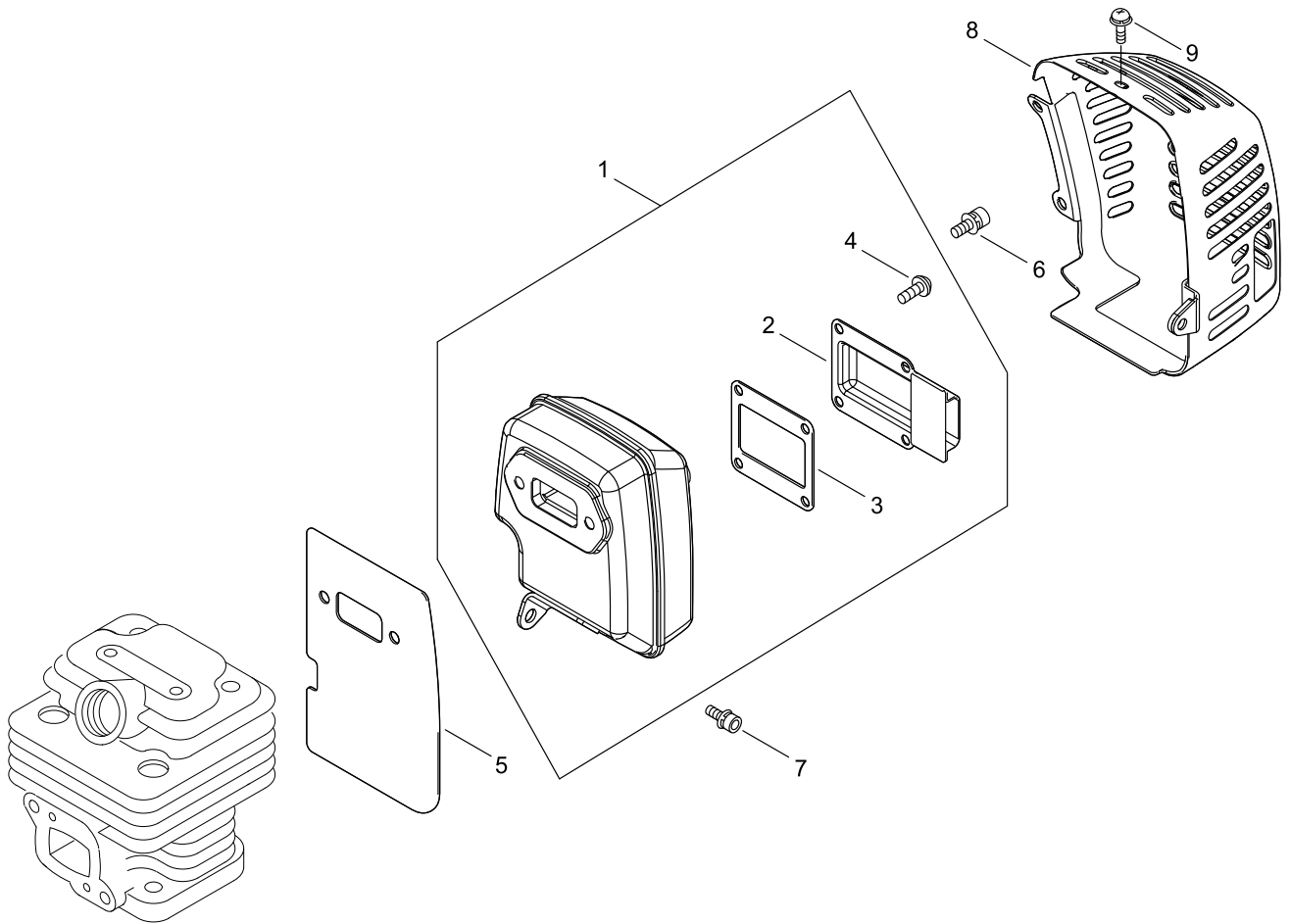


## FUEL TANK

KEY NO	LV(+)	Part No	Description	Qty	Standard	Comment
1		A350-002680	TANK, FUEL	1		
2		131924-43130	CUSHION	1		
3		131910-43130	BRACKET,FUELTANK(BL)	1		
4		91118-05014	BOLT HSH	2	5*14	
5		131923-11120	CUSHION	3		
6		P100-006640	CAP,FUEL ASY	1		
7	+	V107-000190	GASKET,FUEL CAP	1	37.9*T2.2	
8	+	131051-56030	CLIP, FUEL CAP	1	100L	
9		132115-55931	GROMMET, FUEL	1	3 $\phi$ 5	
10		V471-005421	PIPE	1	3*6*30	
11		132012-56030	PIPE	1	3*6*80 YL	
12		V471-001231	PIPE	1	3*5*210	
13		131300-56431	VENT ASSEMBLY, FUEL	1		
14		V490-001230	CLIP	1		
15		131328-40630	COVER, VENT	1		
16		A369-000450	STRAINER, FUEL	1		
17		V490-001240	CLIP	1		



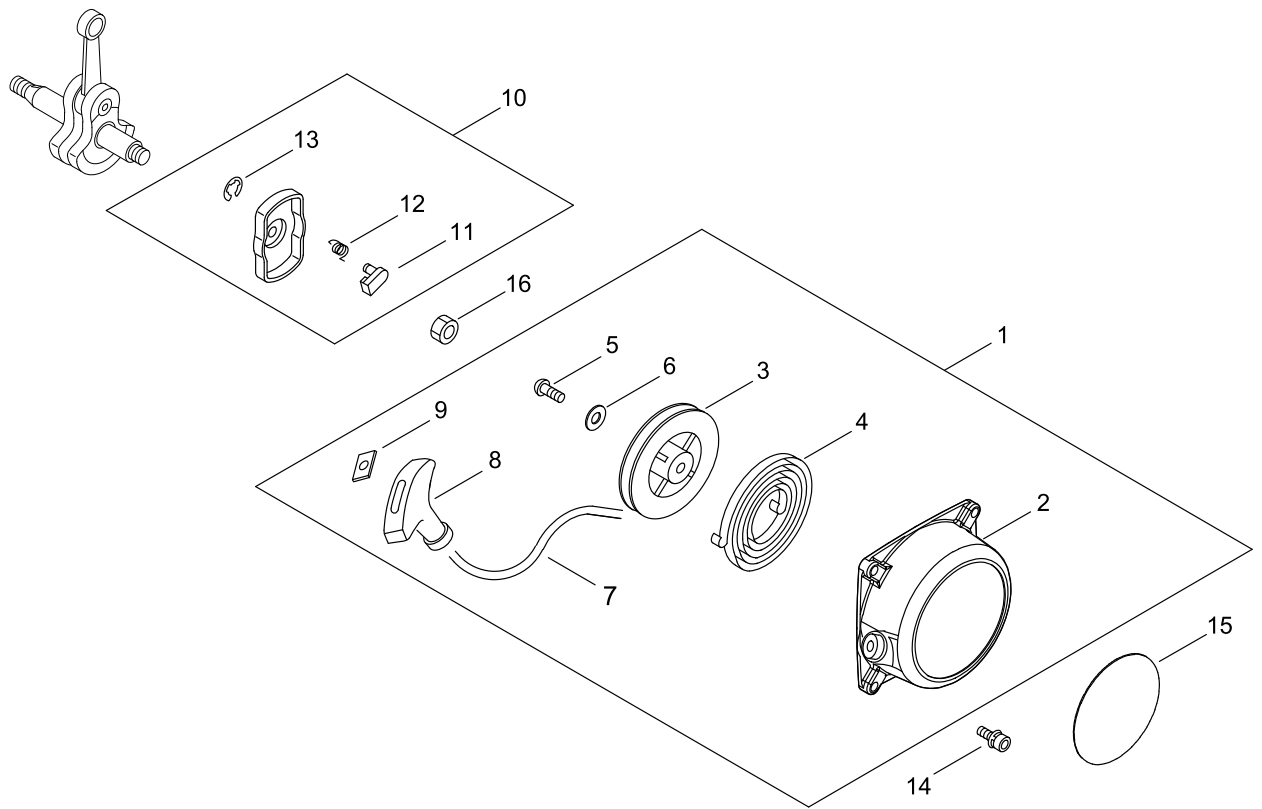
# MUFFLER



## MUFFLER

KEY NO	LV(+)	Part No	Description	Qty	Standard	Comment
1		P100-007990	MUFFLER ASY	1		
2	+	145867-47530	LID, MUFFLER	1		
3	+	V104-002460	GASKET,EXHAUST	1	T1.0	
4	+	900238-04010	SCREW	4	4*10	
5		V104-002450	GASKET,EXHAUST	1	T1.0	
6		900162-05020	BOLT HSH	2	5*20	
7		91118-05014	BOLT HSH	1	5*14	
8		A320-000890	COVER,MUFFLER	1		
9		900238-04010	SCREW	3	4*10	

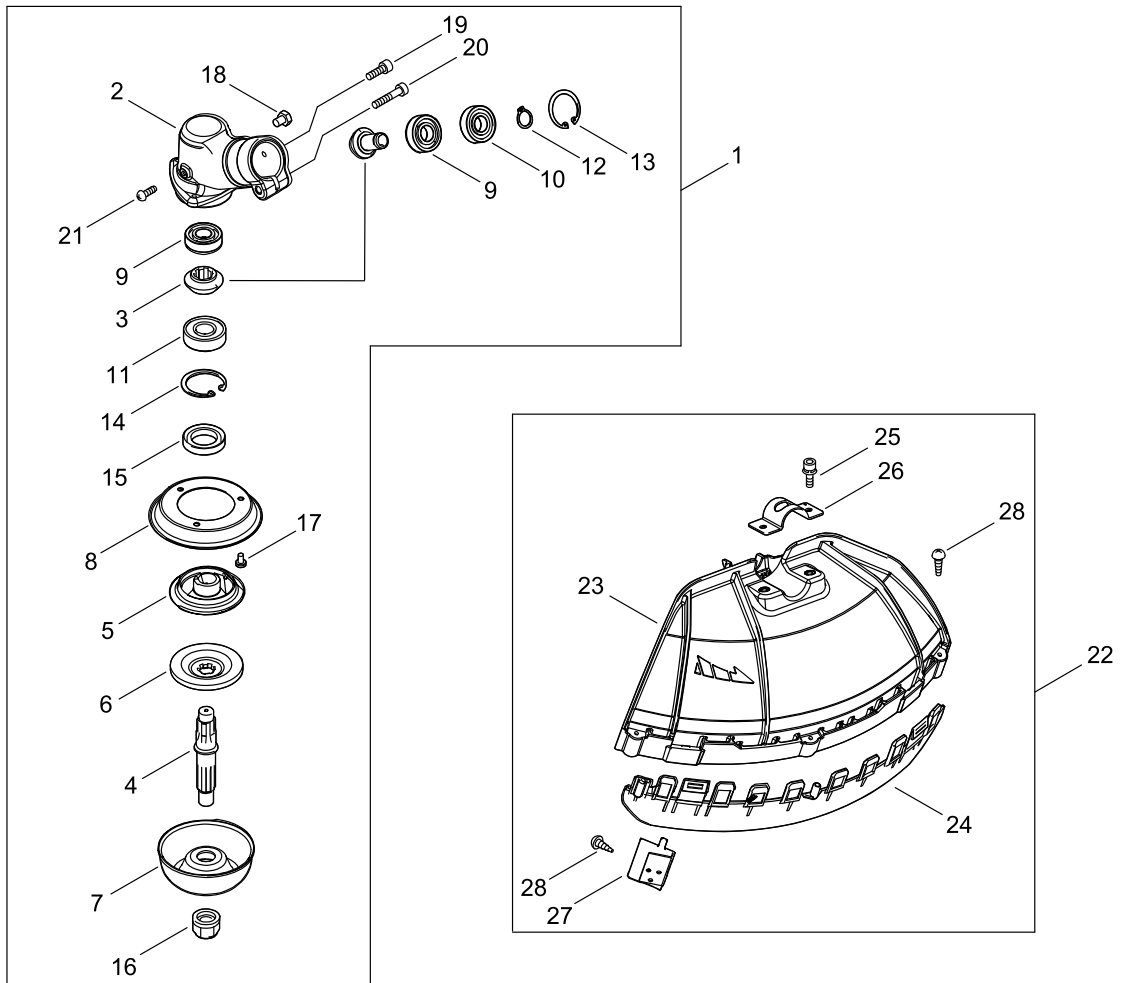
# RECOIL STARTER, PULLY



## RECOIL STARTER, PULLY

KEY NO	LV(+)	Part No	Description	Qty	Standard	Comment
1		A051-000160	STARTER,RECOIL	1		
2	+	P022-047670	CASE, STARTER	1		
3	+	177215-43130	DRUM, STARTER	1		
4	+	177220-40630	SPRING, REWIND	1		
5	+	177236-40630	SCREW	1		
6	+	177214-41030	WASHER	1		
7	+	177226-01110	ROPE, STARTER	1	4.0*880	
8	+	177228-11120	GRIP, STARTER	1	3テンセット	
9	+	P022-037670	STOPPER, ROPE	1		
10		A052-000370	STARTER PULLY ASSY	1		
11	+	A514-000080	RATCHET	1		
12	+	V452-000520	RETURN SPRING	1		
13	+	V583-000140	RING	1		
14		91118-04020	BOLT HSH	4	4*20	
15		X502-000780	LABEL,ECHO	1		
16		900502-00008	NUT	1	8	

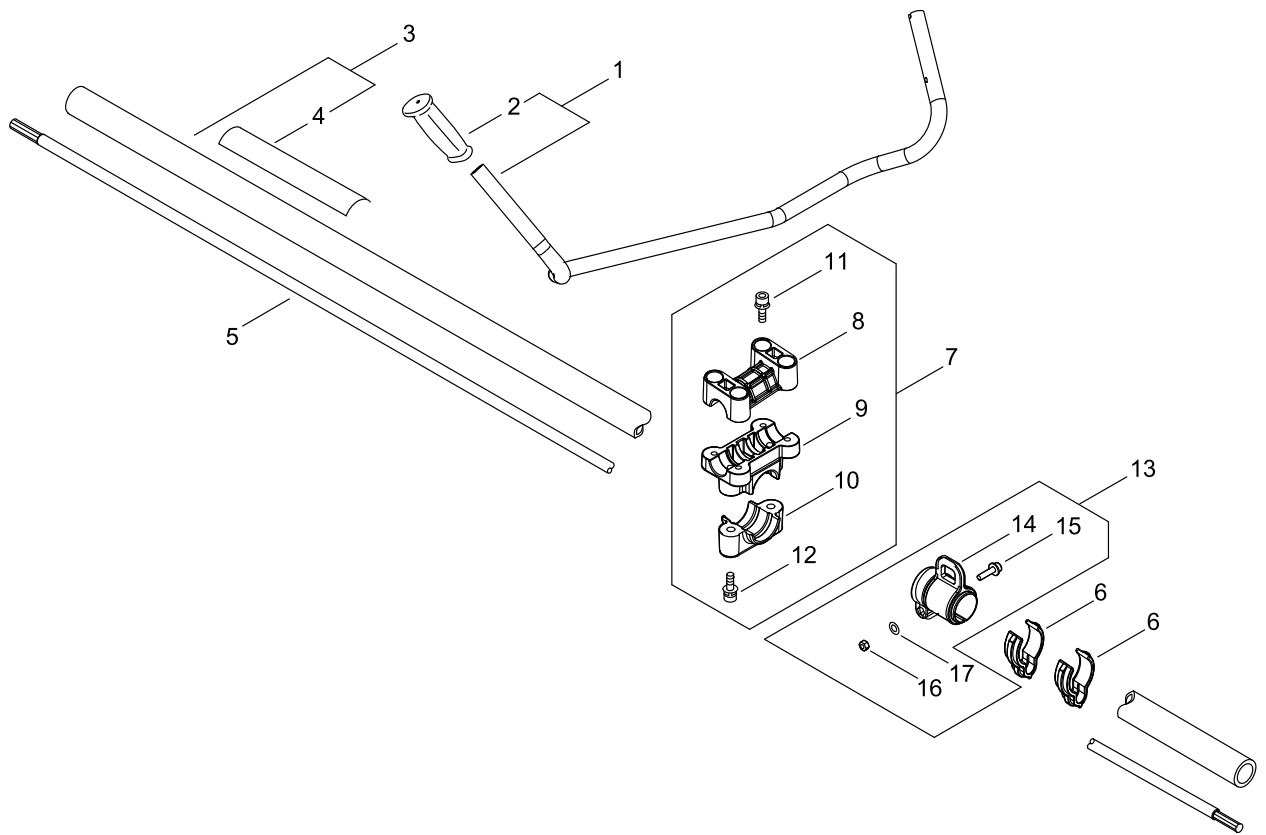
# GEAR CASE, SHIELD



## GEAR CASE, SHIELD

KEY NO	LV(+)	Part No	Description	Qty	Standard	Comment
1		P022-055470	GEAR CASE ASY	1		
2	+	P002-000000	CASE,GEAR	1		
3	+	P100-008580	GEAR SET, BEVEL	1		
4	+	P022-054930	SHAFT, GEAR	1		
5	+	P022-054940	FIXTURE, BLADE	1		
6	+	P022-054950	FIXTURE, BLADE	1		
7	+	P022-054960	ADAPTER,SAW	1		
8	+	P022-054970	COVER,GEAR CASE	1		
9	+	900800-06001	BEARING, BALL	2	6001	
10	+	900803-06001	BEARING, BALL	1	6001Z	
11	+	P022-055680	BEARING, BALL	1		
12	+	P022-055000	CIRCLIP	1	12	
13	+	P022-055010	CIRCLIP	1	28	
14	+	P022-055020	CIRCLIP	1	35	
15	+	P022-055030	OILSEAL	1		
16	+	P022-055040	NUT	1	12	
17	+	P022-055050	BOLT	3	4*8	
18	+	P022-055060	BOLT	1	6*8	
19	+	P022-055070	BOLT	1	5*14	
20	+	P022-055080	BOLT	1	6*30	
21	+	P022-055460	BOLT	1	4*10	
22		C055-000090	SHIELD,ASM BLADE	1		
23	+	P022-055400	SHIELD,BLADE	1		
24	+	P022-055410	PLATE,SHIELD	1		
25	+	P022-055420	BOLT	2	6*20	
26	+	P022-055430	BRACKET,SHIELD	1		
27	+	P022-055440	KNIFE, CORD	1		
28	+	P022-055450	SCREW TAPPING	6		

# MAIN PIPE, HANDLE

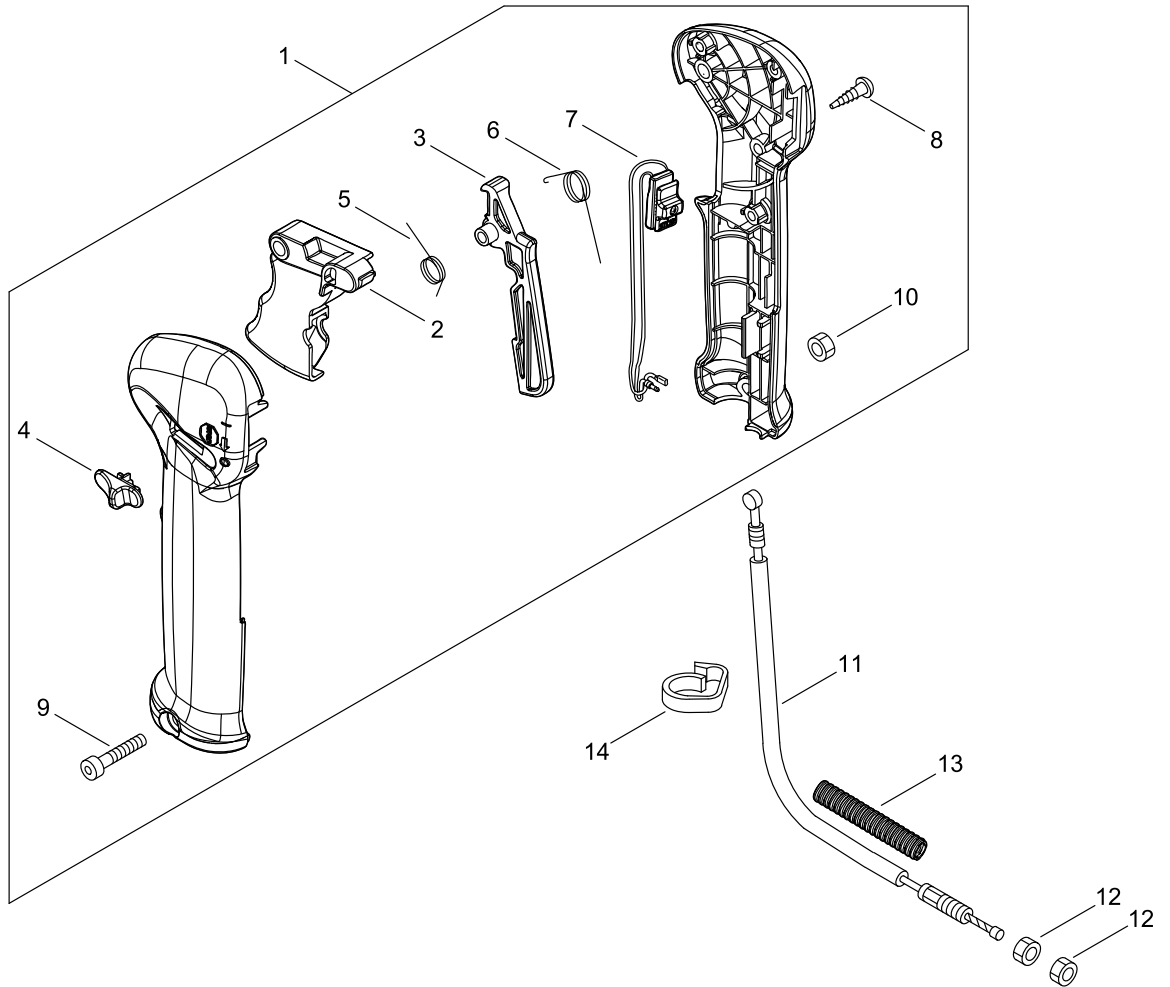


## MAIN PIPE, HANDLE

KEY NO	LV(+)	Part No	Description	Qty	Standard	Comment
1		P100-003860	HANDLE ASY	1		
2	+	C403-000031	GRIP,HANDLE	1		
3		P100-008590	MAIN PIPE ASY	1		
4	+	P022-055120	LABEL, CAUTION	1		
5		P022-055110	SHAFT, DRIVE	1		
6		P022-055320	CLIP	2		
7		P022-055180	FIXTURE,ASY HANDLE	1		
8	+	P022-055210	FIXTURE,HANDLE	1		
9	+	P022-055200	FIXTURE,HANDLE	1		
10	+	P022-055190	FIXTURE,HANDLE	1		
11	+	P022-055230	BOLT	4	6*25	
12	+	P022-055220	BOLT	2	6*30	
13		P022-055130	HOOK ASY	1		
14	+	P022-055140	HOOK,LIFTING	1		
15	+	P022-055150	BOLT	1	5*20	
16	+	P022-055170	NUT	1		
17	+	P022-055160	WASHER	1	5	



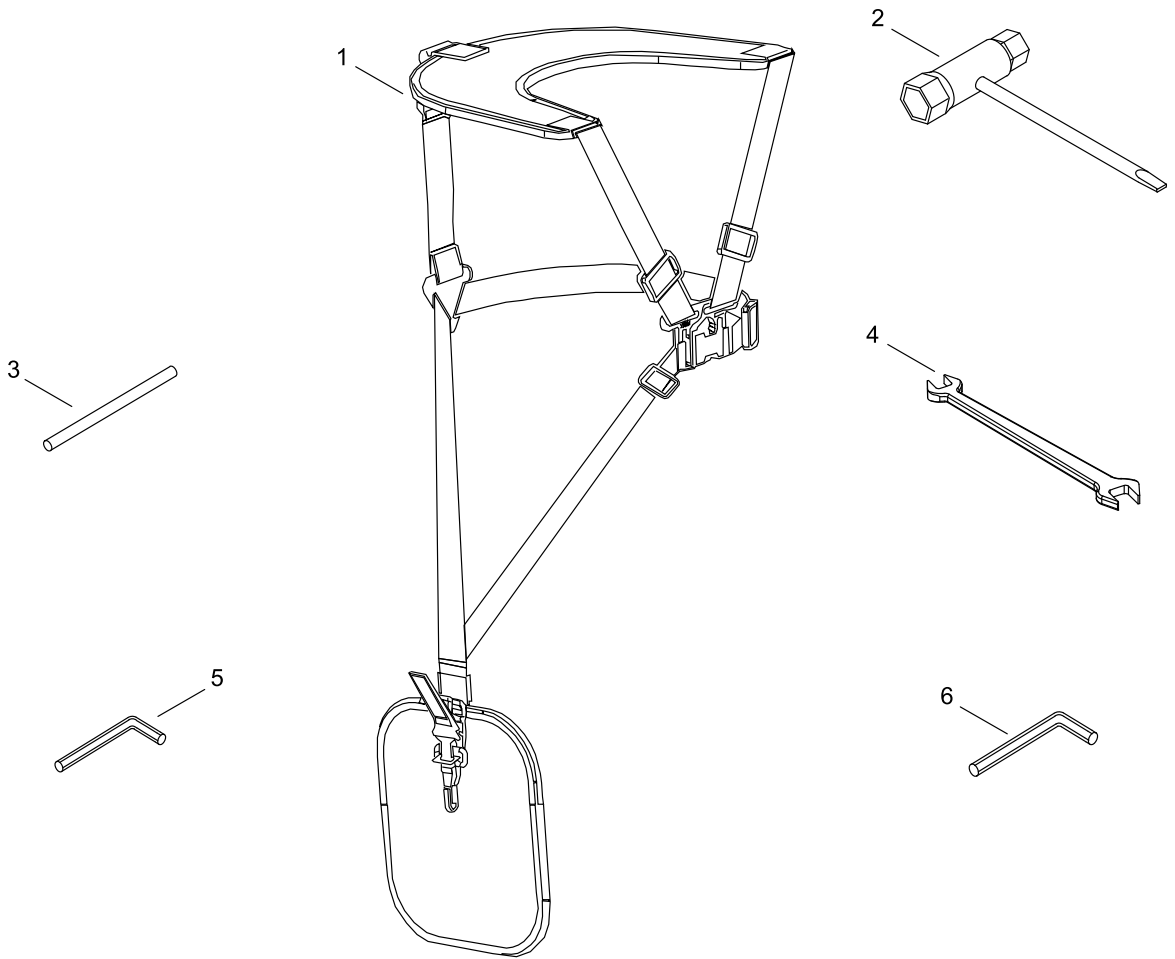
# THROTTLE



## THROTTLE

KEY NO	LV(+)	Part No	Description	Qty	Standard	Comment
1		P100-008620	THROTTLE ASY	1		
2	+	C450-000270	CONTROL, THROTTLE	1		
3	+	C460-000111	LOCKOUT, THROTTLE	1	70MM	
4	+	C463-000020	KNOB, LATCH	1		
5	+	V452-000360	SPRING,TORSION	1		
6	+	V452-000350	SPRING,TORSION	1		
7	+	A440-003110	SWITCH, ON OFF	1		
8	+	900256-04016	SCREW, TAPPING	3	4*16	
9	+	91119-05030	BOLT HSH	1	5*30	
10	+	900500-00005	NUT	1	5	
11		V430-005260	CABLE,BOWDEN	1	OUT:980,IN:87	
12		900502-00006	NUT	2	6	
13		V475-007760	TUBE	1	7*860	
14		159112-09961	CLIP	1		

# ACCESSORIES



## ACCESSORIES

KEY NO	LV(+)	Part No	Description	Qty	Standard	Comment
1		C062-000710	HARNESS, SHOULDER	1		
2		P022-055350	TOOL,WRENCH	1	17*19	
3		P022-055390	TOOL,BAR	1	5	
4		P022-055360	TOOL,SPANNER	1	8*10	
5		P022-055370	TOOL,L WRENCH	1	M4,23-67	
6		P022-055380	TOOL,L WRENCH	1	M5,25-77	

# NUMERICAL PARTS INDEX

Part No	Part description	Page	Part No	Part description	Page	Part No	Part description	Page
100012-1-2331	BEARING, NEEDLE	2	177214-4-1030	WASHER	18	900702-0-0035	RETAINING RING, INTERNAL	4
100013-0-0410	PIN, PISTON	2	177215-4-3130	DRUM, STARTER	18	900800-0-6001	BEARING, BALL	20
100142-1-2330	KEY, WOODRUFF	6	177220-4-0630	SPRING, REWIND	18	900803-0-6001	BEARING, BALL	20
101010-4-2231	GASKET, CYL. BASE	2	177226-0-1110	ROPE, STARTER	18	91118-04-020	BOLT HSH	18
101011-4-7530	CYLINDER	2	177228-1-1120	GRIP, STARTER	18	91118-05-014	BOLT HSH	14
101514-4-2230	COVER, CYLINDER (BS)	2	177236-4-0630	SCREW	18	91118-05-014	BOLT HSH	16
130016-4-2231	GASKET, INTAKE	10	890332-5-2730	LABEL, CHOKE	10	91118-05-025	BOLT HSH	8
131051-5-6030	CLIP, FUEL CAP	14	900162-0-5020	BOLT HSH	2	91119-05-030	BOLT HSH	24
131300-5-6431	VENT ASSEMBLY, FUEL	14	900162-0-5020	BOLT HSH	16	94095-36-201	BEARING, BALL	4
131328-4-0630	COVER, VENT	14	900162-0-5025	BOLT HSH	10	94095-36-202	BEARING, BALL	4
131910-4-3130	BRACKET, FUEL TANK(BL)	14	900162-0-5030	BOLT HSH	4	A011-00-1590	CRANKSHAFT,ASY	2
131923-1-1120	CUSHION	14	900238-0-4010	SCREW	16	A021-00-4980	CARBURETOR, DIAPHRAGM	10
131924-4-3130	CUSHION	14	900238-0-5010	SCREW	2	A021-00-4980	CARBURETOR, DIAPHRAGM	12
132012-5-6030	PIPE	14	900238-0-5010	SCREW	4	A051-00-0160	STARTER,RECOIL	18
132115-5-5931	GROMMET, FUEL	14	900238-0-5014	SCREW	2	A052-00-0370	STARTER PULLY ASSY	18
145867-4-7530	LID, MUFFLER	16	900238-0-5020	SCREW	6	A101-00-0760	RING, PISTON	2
156112-4-0630	GROMMET	6	900242-0-5064	SCREW	10	A162-00-0260	GUARD, TOP	2
156635-4-3130	LEAD, GROUND	4	900256-0-4016	SCREW, TAPPING	24	A172-00-3530	COVER, FAN	8
159010-1-0630	PLUG, SPARK (BPM-7A)	6	900500-0-0005	NUT	24	A200-00-1230	INSULATOR, INTAKE	10
159011-0-3432	COIL, SPARK PLUG	6	900502-0-0006	NUT	24	A226-00-2280	ELEMENT, AIR FILTER	10
159012-0-1620	CAP, SPARK PLUG	6	900502-0-0008	NUT	18	A244-00-0380	PLATE, PREVENT	10
159112-0-9961	CLIP	24	900503-0-0010	NUT	6	A320-00-0890	COVER, MUFFLER	16
162021-4-2230	LEAD	6	900600-0-0010	WASHER	6	A350-00-2680	TANK, FUEL	14
175049-0-3920	WASHER	8	900605-0-0010	WASHER, SPRING	6	A369-00-0450	STRAINER, FUEL	14

# NUMERICAL PARTS INDEX

Part No	Part description	Page	Part No	Part description	Page	Part No	Part description	Page
A409-00-1380	ROTOR, MAGNETO	6	P006-00-0400	SPRING, METER. LEVER	12	P022-05-5020	CIRCLIP	8
A411-00-1880	COIL, IGNITION	6	P006-00-0410	SCREW	12	P022-05-5020	CIRCLIP	20
A440-00-3110	SWITCH, ON OFF	24	P006-00-0420	SCREEN,INLET	12	P022-05-5030	OILSEAL	20
A514-00-0080	RATCHET	18	P006-00-0430	LEVER, METERING	12	P022-05-5040	NUT	20
A557-00-0000	SHAFT,CLUTCH	8	P006-00-0440	PIN, METERING LEVER	12	P022-05-5050	BOLT	20
A566-00-0260	SPRING, CLUTCH	8	P006-00-0450	VALVE, INLET NEEDLE	12	P022-05-5060	BOLT	20
C055-00-0090	SHIELD,ASM BLADE	20	P006-00-0460	BASE, ASY PRIMER	12	P022-05-5070	BOLT	20
C062-00-0710	HARNESS, SHOULDER	26	P006-00-0470	SWIVEL	12	P022-05-5080	BOLT	8
C403-00-0031	GRIP,HANDLE	22	P006-00-0480	E-RING	12	P022-05-5080	BOLT	20
C450-00-0270	CONTROL, THROTTLE	24	P006-00-0490	BRACKET CABLE	12	P022-05-5110	SHAFT, DRIVE	22
C460-00-0111	LOCKOUT, THROTTLE	24	P006-00-0500	DIAPHRAGM , METERING	12	P022-05-5120	LABEL, CAUTION	22
C463-00-0020	KNOB, LATCH	24	P006-00-0510	WASHER	12	P022-05-5130	HOOK ASY	22
P002-00-0000	CASE,GEAR	20	P021-05-1120	CLUTCH SHOE SET	8	P022-05-5140	HOOK,LIFTING	22
P006-00-0290	PUMP, PRIMER	12	P021-05-3180	CASE,CLEANER	10	P022-05-5150	BOLT	22
P006-00-0300	RETAINER	12	P022-03-7670	STOPPER, ROPE	18	P022-05-5160	WASHER	22
P006-00-0310	GASKET, M. DIAPHRAGM	12	P022-04-7670	CASE, STARTER	18	P022-05-5170	NUT	22
P006-00-0320	DIAPHRAGM PUMP	12	P022-05-4930	SHAFT, GEAR	20	P022-05-5180	FIXTURE,ASY HANDLE	22
P006-00-0330	GASKET, PUMP	12	P022-05-4940	FIXTURE, BLADE	20	P022-05-5190	FIXTURE,HANDLE	22
P006-00-0340	NEEDLE	12	P022-05-4950	FIXTURE, BLADE	20	P022-05-5200	FIXTURE,HANDLE	22
P006-00-0350	SPRING	12	P022-05-4960	ADAPTER,SAW	20	P022-05-5210	FIXTURE,HANDLE	22
P006-00-0360	RING, PACKING	12	P022-05-4970	COVER,GEAR CASE	20	P022-05-5220	BOLT	22
P006-00-0370	SCREW	12	P022-05-4990	BEARING, BALL	8	P022-05-5230	BOLT	22
P006-00-0380	SCREW	12	P022-05-5000	CIRCLIP	20	P022-05-5250	CLUTCH CASE	8
P006-00-0390	BODY ASSEMBLY, PUMP	12	P022-05-5010	CIRCLIP	20	P022-05-5260	FIXTURE, MAIN PIPE	8

# NUMERICAL PARTS INDEX

Part No	Part description	Page	Part No	Part description	Page	Part No	Part description	Page
P022-05-5270	CUSHION	8	P100-00-7980	PISTON KIT	2	V505-00-0170	SEAL,OIL 12	4
P022-05-5280	DRUM, CLUTCH	8	P100-00-7990	MUFFLER ASY	16	V508-00-0120	SEAL,OIL 15	4
P022-05-5290	BOLT	8	P100-00-8010	CLEANER COVER ASY	10	V580-00-0010	RING,END	2
P022-05-5300	CIRCLIP	8	P100-00-8580	GEAR SET, BEVEL	20	V583-00-0140	RING	18
P022-05-5310	CIRCLIP	8	P100-00-8590	MAIN PIPE ASY	22	X502-00-0780	LABEL,ECHO	18
P022-05-5320	CLIP	22	P100-00-8620	THROTTLE ASY	24	X505-00-7710	LABEL,CAUTION	8
P022-05-5340	BOLT	8	P100-00-8630	CASE,CLUTCH ASY	8	X547-00-3540	LABEL,ECHO	8
P022-05-5350	TOOL,WRENCH	26	V102-00-0330	GASKET, CRANKCASE	4			
P022-05-5360	TOOL,SPANNER	26	V103-00-2090	GASKET,INTAKE	10			
P022-05-5370	TOOL,L WRENCH	26	V104-00-2450	GASKET,EXHAUST	16			
P022-05-5380	TOOL,L WRENCH	26	V104-00-2460	GASKET,EXHAUST	16			
P022-05-5390	TOOL,BAR	26	V107-00-0190	GASKET,FUEL CAP	14			
P022-05-5400	SHIELD,BLADE	20	V299-00-0520	KNOB,FASTENER	10			
P022-05-5410	PLATE,SHIELD	20	V307-00-0050	WASHER,CIRCULAR 10	2			
P022-05-5420	BOLT	20	V346-00-0000	WASHER,WAVE	8			
P022-05-5430	BRACKET,SHIELD	20	V430-00-5260	CABLE,BOWDEN	24			
P022-05-5440	KNIFE, CORD	20	V452-00-0350	SPRING,TORSION	24			
P022-05-5450	SCREW TAPPING	20	V452-00-0360	SPRING,TORSION	24			
P022-05-5460	BOLT	20	V452-00-0520	RETURN SPRING	18			
P022-05-5470	GEAR CASE ASY	20	V471-00-1231	PIPE	14			
P022-05-5680	BEARING, BALL	20	V471-00-5421	PIPE	14			
P100-00-3860	HANDLE ASY	22	V475-00-7760	TUBE	24			
P100-00-6640	CAP,FUEL ASY	14	V490-00-1230	CLIP	14			
P100-00-7970	CRANKCASE SET	4	V490-00-1240	CLIP	14			